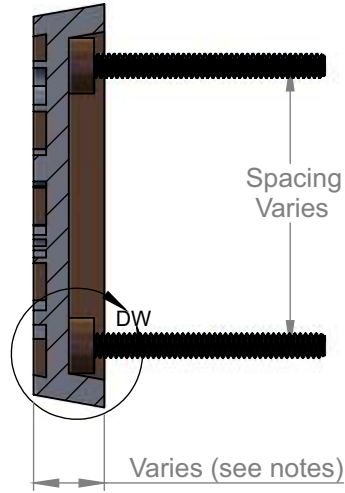
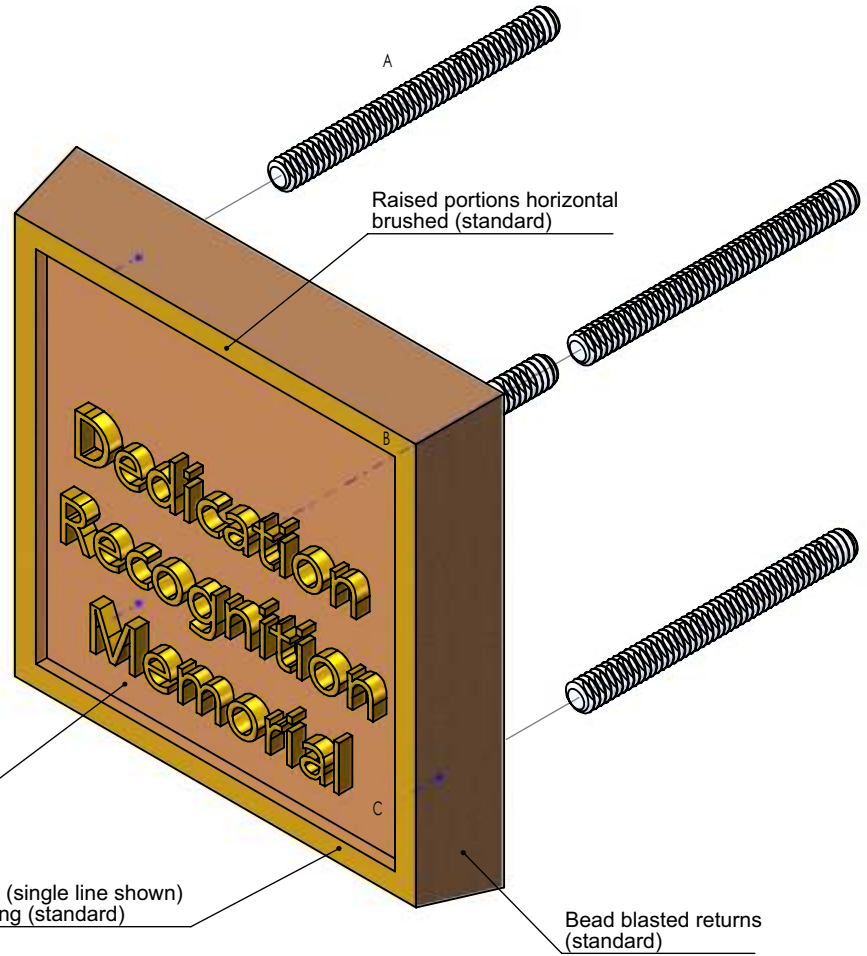


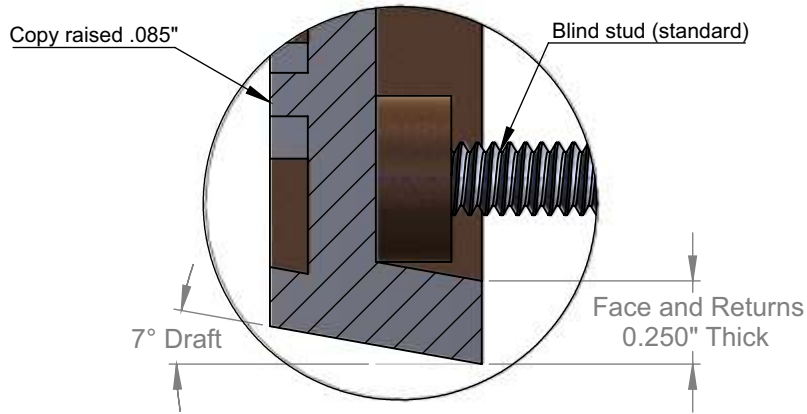
BACK VIEW II SCALE 1:1.50



SECTION VIEW A-A II SCALE 1:1.50



ISOMETRIC VIEW II SCALE 1:1



DETAIL DW II SCALE 2:1

Size	Stud
Up to 432 sq inches	10/24
Over 432 sq inches	1/4 - 20
Optional: 3/8 - 16 stud	

STANDARD CAST PLAQUE DEPTHS		
Less than 324sq in.	5/16" depth	Solid
324 - 575sq in.	1/2" depth	Hollow back
576 - 1,295sq in.	3/4" depth	Hollow back
Over 1,295sq in.	1" depth	Hollow back
Optional - Thicker plaques available		

Multiple background texture options

Multiple boarder options (single line shown)
Semi - Gloss clear coating (standard)

Bead blasted returns (standard)

NOTE:
Multiple texture, color, finish, and mounting options available

TITLE:

CAST PLAQUE - STUD MOUNT

MATERIAL:

ALUMINUM OR BRONZE

PRODUCT TYPE:

METAL PLAQUES